

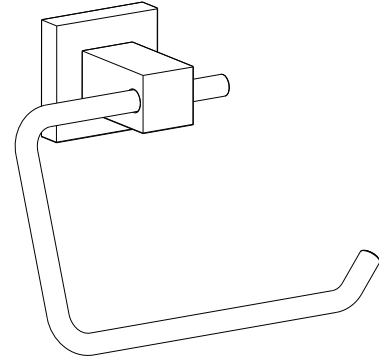
Model: **KBA1505**

**Cube** - Tissue holder





## SPEC SHEET

### Features

- Solid brass construction
- Easy to clean finishes resist corrosion and tarnish
- Mounting hardware included
- Coordinates with Cubic faucets and accessories.



### Available Finishes

Finish	Code	Description
	CH	Chrome
	BN	Brushed Nickel
	MB	Matte Black
	BG	Brushed Gold

