

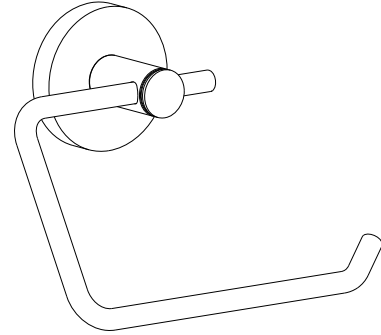
Model: **KBA1405**

Circular -Tissue holder





SPEC SHEET

Features

- Solid brass construction
- Easy to clean finishes resist corrosion and tarnish
- Mounting hardware included
- Coordinates with Circular faucets and accessories.



Available Finishes

Finish	Code	Description
	CH	Chrome
	BN	Brushed Nickel
	MB	Matte Black
	BG	Brushed Gold

