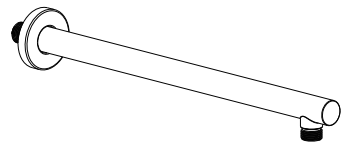




Installation Guide



**Circular
SA1601**

Before Installation



CAUTION

Failure to read these instructions prior to installation may result in personal injury, property damage, or product failure. Manufacturer assumes no responsibility for product failure due to improper installation.



DO NOT RETURN TO STORE

If you have any trouble, contact us before reaching out to the retailer. We'll make it right. Our customer service team will be glad to assist you with any assembly, missing part or questions that you may have about your products.

Contact KIBI 📞 855-883-0888 ✉️ support@kibususa.com 🌐 www.kibususa.com

PRIOR TO INSTALLATION

- 1- For best results, we recommend that this unit be installed by a licensed, professional plumber.
- 2- Please read over these instructions thoroughly before beginning installation. Make sure that you have all tools and supplies needed to complete the installation.
- 3- Please flush the water system to ensure that no metal swarf, solder, and other impurities can enter the faucet that might damage the cartridge. (Most of the leakages and water flow issues are from avoiding this very necessary step).
- 4- Turn off the hot and cold water lines at the angle valve and turn on the old faucet to release any built-up pressure.
- 5- Keep this booklet and the receipt (or other proof of date and place of purchase) for this product in a safe place. The receipt is required should it be necessary to request warranty parts.
- 6- Please keep the box and packaging materials until your product is completely installed and functional.

Cleaning and Care

Clean the faucet often with a soft cloth to keep it looking like new. For heavy cleaning you can use mild liquid detergents or non-abrasive liquid polisher. Rinse with water and dry with a soft cloth. Avoid abrasive cleaners, steel wool and harsh chemicals as these will dull the finish and void your warranty.

Tools you may need



Pencil



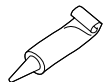
Safety Glasses



Plumbers Tape

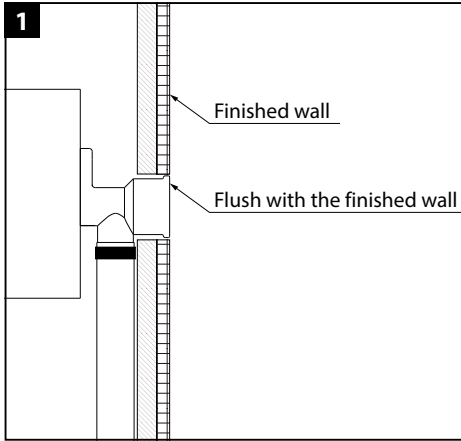


Tape Measure



Silicone sealant

Shower Arm Instructions



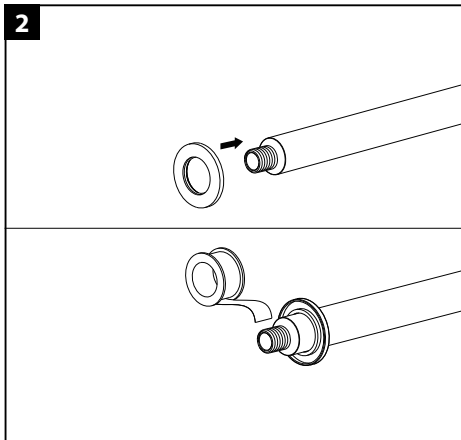
SHUT OFF WATER SUPPLIES.

Consider the type and the thickness of your finished wall before placing your stringer back plate.

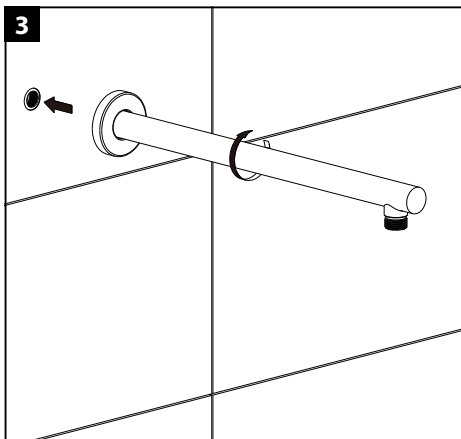
Install the threaded adapter (**Not supplied**) so the surface of the finished wall is flush with the front of the threaded adapter.

Make sure that 1/2" threaded adapter is installed securely inside the wall.

⚠ When installing (e.g., on plasterboard walls, not solid walls), it must be ensured that appropriate reinforcement is in place to ensure sufficient strength.



Slide the escutcheon over the shower arm, and wrap the 1/2 NPT thread on the shower arm with Teflon tape.



Screw the shower arm into threaded adapter.

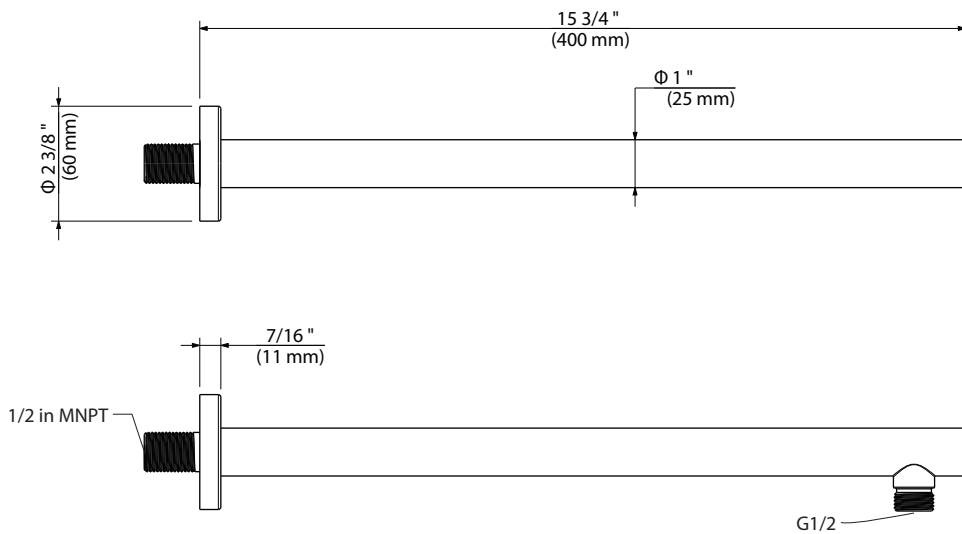
⚠ Seal the wall using waterproof sealant.

⚠ Failure to seal the wall can lead to water damage.

Push the escutcheon against the wall.

Dimensions

Critical dimensions show in mm



Warranty

Lifetime limited warranty against finish defects to the original consumer purchaser.
1 year warranty if used in commercial installations.