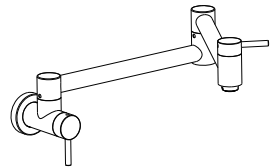




# Installation Guide



**Circular  
KPF601**

## Before Installation

---



### CAUTION

Failure to read these instructions prior to installation may result in personal injury, property damage, or product failure. Manufacturer assumes no responsibility for product failure due to improper installation.



### DO NOT RETURN TO STORE

If you have any trouble, contact us before reaching out to the retailer. We'll make it right. Our customer service team will be glad to assist you with any assembly, missing part or questions that you may have about your products.

**Contact KIBI** 📞 855-883-0888 ✉️ [support@kibususa.com](mailto:support@kibususa.com) 🌐 [www.kibususa.com](http://www.kibususa.com)

## PRIOR TO INSTALLATION

- 1- For best results, we recommend that this unit be installed by a licensed, professional plumber.
- 2- Please read over these instructions thoroughly before beginning installation. Make sure that you have all tools and supplies needed to complete the installation.
- 3- Please flush the water system to ensure that no metal swarf, solder, and other impurities can enter the faucet that might damage the cartridge. (Most of the leakages and water flow issues are from avoiding this very necessary step).
- 4- Turn off the hot and cold water lines at the angle valve and turn on the old faucet to release any built-up pressure.
- 5- Keep this booklet and the receipt (or other proof of date and place of purchase) for this product in a safe place. The receipt is required should it be necessary to request warranty parts.
- 6- Please keep the box and packaging materials until your product is completely installed and functional.

## Cleaning and Care

Clean the faucet often with a soft cloth to keep it looking like new. For heavy cleaning you can use mild liquid detergents or non-abrasive liquid polisher. Rinse with water and dry with a soft cloth. Avoid abrasive cleaners, steel wool and harsh chemicals as these will dull the finish and void your warranty.

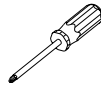
## Tools you may need



Drill



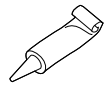
Safety Glasses



Phillips Screwdriver



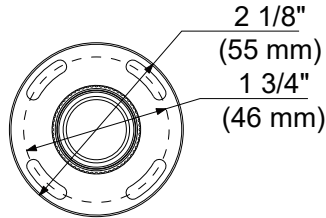
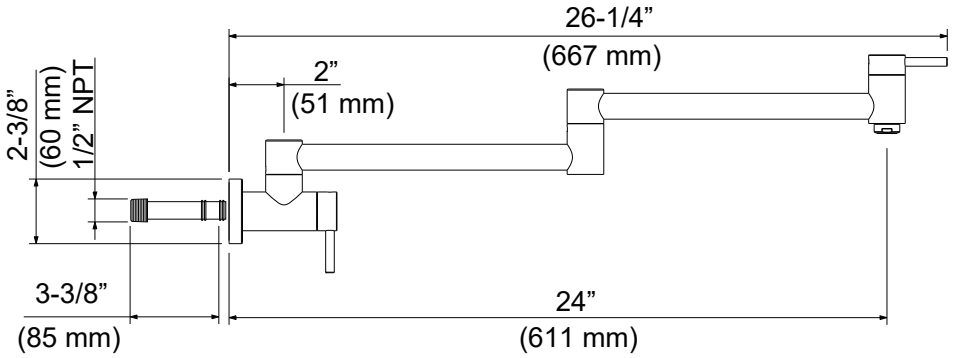
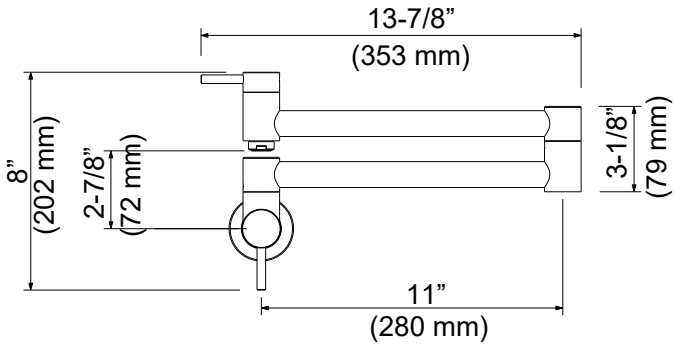
Wrench



Silicone sealant

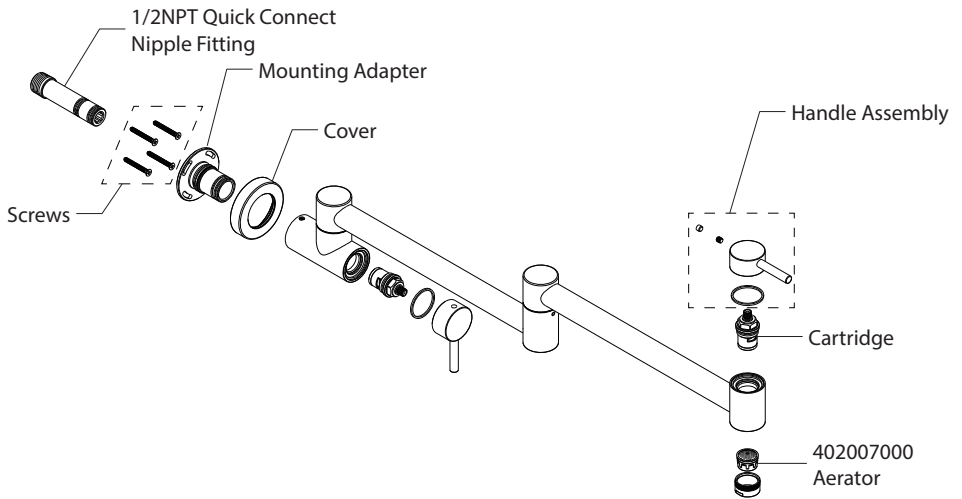
# Dimensions

Critical dimensions show in mm



# Parts List

---



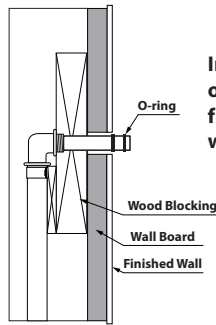
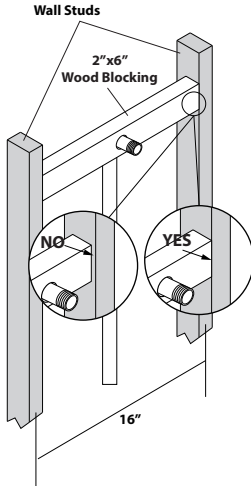
# Faucet Installation

1

## CAUTION

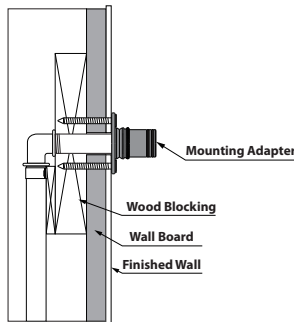
The **Mounting Adapter** must be installed on **Wall Studs** or **Wood Blocking** between Wall Studs and secured with screws.

This faucet is for use with **cold water only**. Do not connect it to the hot water supply.



**Important: At least, 2 O-rings of Connector must extend from the face of the finished wall.**

- Install a 2x6 Cross Brace within the wall between the Wall Studs.



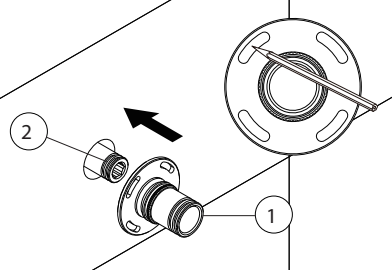
Shut off water suppliers. Remove the old faucet, clean the mounting surface.

Install the provided 1/2NPT Quick Connect Nipple Fitting to the water pipe, Secure supply pipe to the wood blocking. Finish installing the wall board and the finished wall.

**Note: For first time install, flush the pipes first by open the angel valve to run 60s.**

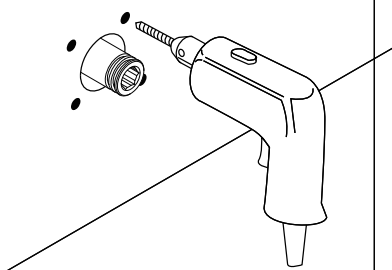
# Faucet Installation

**2** **CAUTION** Do not drill into hidden electrical or plumbing lines.



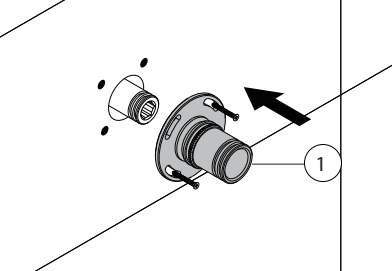
Place Mounting Adapter (1) onto the 1/2NPT Quick Connect Nipple Fitting(2) as shown. Using the Mounting Adapter (1) as a template, mark the positions of the screw holes.

**3**



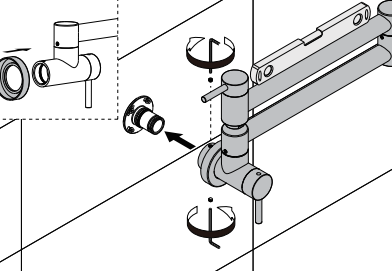
Drill the screws holes.

**4**



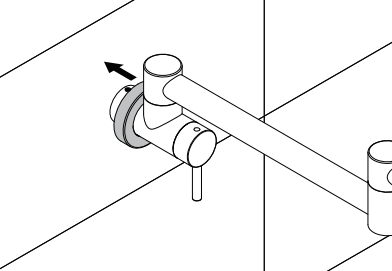
Secure the MOUNTING ADAPTER (1) with the four MOUNTING SCREW provided.

**5**



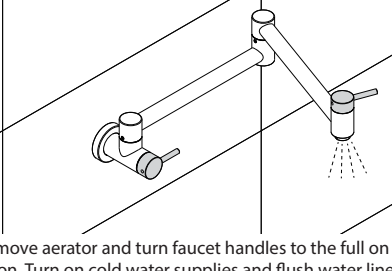
Install the ESCUTCHEON onto the pot filler body. Align the POT FILLER and install it onto the spline of the MOUNTING ADAPTER. Be careful not to damage the O-RING SEALS on the MOUNTING ADAPTER. Tighten the two SET SCREWS with the small HEX WRENCH provided.

**6**



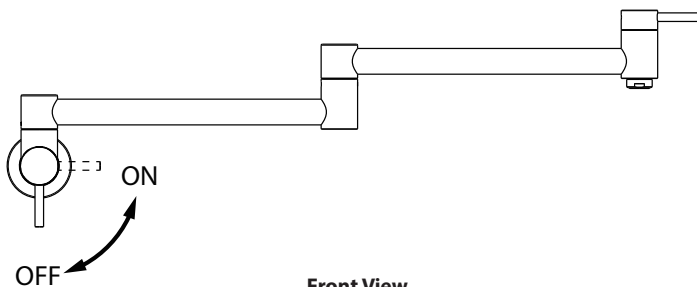
Push the Escutcheon flush against the finished wall.

**7**

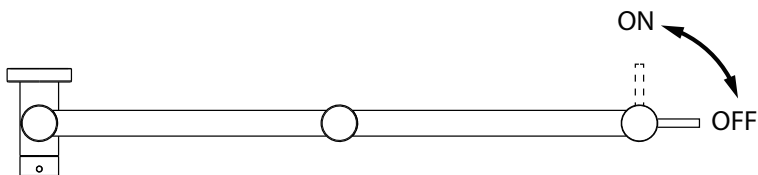


Remove aerator and turn faucet handles to the full on position. Turn on cold water supplies and flush water lines for one minute, check for leaks and proper operation. **Important: This flushes away any debris that could cause damage to internal parts.** Check all connections at arrow for leaks. Re-tighten if necessary, but do not overtighten. Reinstall the aerator.

# User Instructions



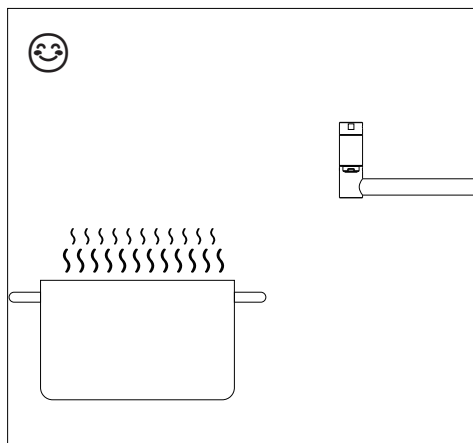
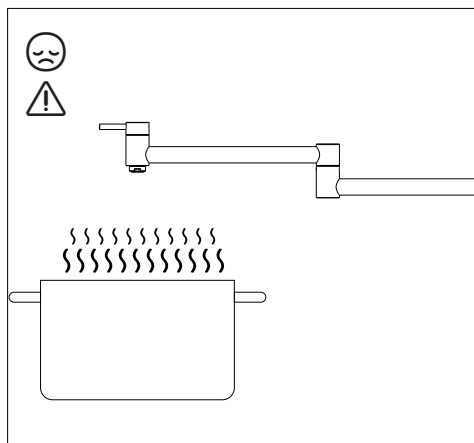
Front View



Front View

## CAUTION Risk of Injury

The pot filler may become hot when the arm is positioned above a hot stove burner. Always push the pot filler away from the burner after use.



## Trouble-Shooting

If you've followed the instructions carefully and your faucet still does not work properly, take these corrective steps.

<b>Problem</b>	<b>Cause</b>	<b>Action</b>
Low flow	Aerator may be clogged	Unscrew aerator to check rubber packing or replace aerator. <b>(Note: some models require wrench to remove aerator.)</b>
Inconsistent water flow pattern	Aerator is dirty or aged	Release aerator and check on rubber gasket if aged or replace with a new aerator.
Faucet is dirty	Caused by stubborn water spot	Clean with mild soap and warm water as often as possible.
Pull out Pot filler is not smooth	Pot filler is not lever or align	Reinstall the <b>POT FILLER</b> onto the <b>MOUNTING ADAPTER</b> . If not smooth persists, Reinstall the <b>MOUNTING ADAPTER</b> .

### LIMITED LIFETIME WARRANTY

Thank you for choosing Kibi USA faucets and accessories. We are dedicated to providing you with exceptional products that are built to last. Kibi USA is proud to offer a comprehensive limited lifetime warranty on our kitchen and bathroom faucets and accessories. Here are the details of our warranty policy:

Kibi USA warrants the structure and finish of the faucets and accessories to be free from defects in material and workmanship under normal usage for as long as the original purchaser resides in the residence in which the product was first installed. Additionally, the following warranty periods apply to specific components:

- **Sprayhead Assembly:** Kibi warrants the sprayhead assembly, including the engine, aerators, structure, restrictors, backflow preventers, sprayer hoses, and braided supply line hoses (nylon, silicon, and stainless steel), to be free from defects in material and workmanship under normal usage for a period of one (1) year from the date of purchase.
- **Cartridge:** Kibi warrants the faucet's cartridge to be free from defects in material and workmanship under normal usage for a period of five (5) years from the date of purchase.