



# Installation Guide



**Circular  
KMM103**

---

## GENERAL INFORMATION

This instruction sheet contains information on how to install the Showroom Magnification Mirror. Save these instructions for future use and reference. An improper installation voids the warranty.

Carefully inspect the mirror for damage. Installed products cannot be returned. If you experience any problems with your mirror, contact your dealer or Kibi directly.

Please keep the box and packaging materials until your product is completely installed.

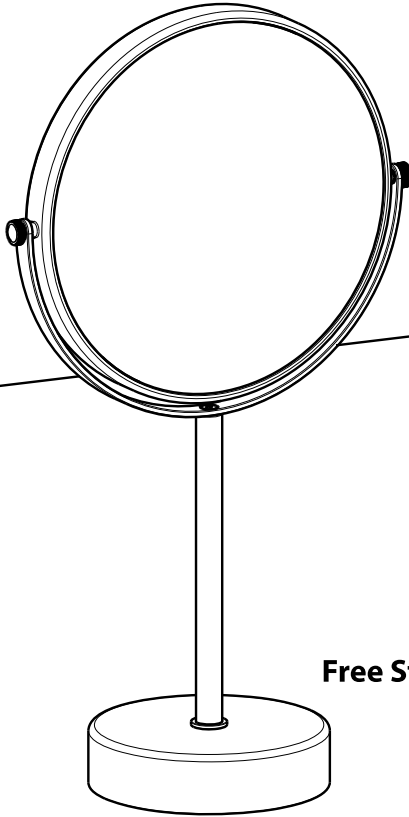
## CLEANING AND CARE

**NOTE:** Under no circumstances should an ammonia-based cleaner be used on the magnification mirror.

When cleaning the mirror surface, use only a lint-free polishing cloth for cleaning. To remove stubborn stains, slightly dampen the cloth with water or rubbing alcohol.

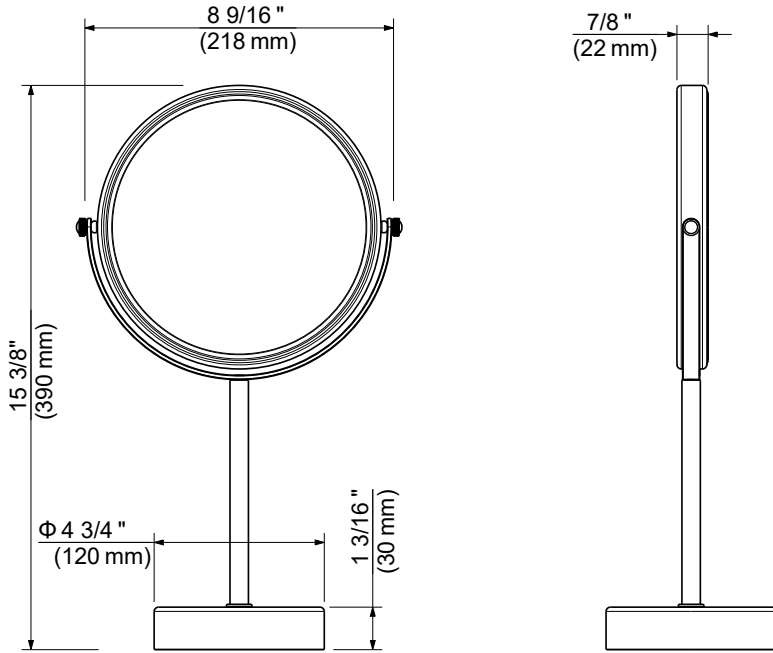
When cleaning the metal frame, use only a damp cloth.

**NOTE:** Do not use abrasive cleansers on any part of the magnification mirror.



**Free Standing**

Critical dimensions show in mm



## WARRANTY

KIBI warrants to the original purchaser that, it will, at its election repair, replace, or make appropriate adjustment to products made by this company shown to have significant defects in material or workmanship which are reported to KIBI in writing within one (1) year from the date of delivery. KIBI is not responsible for installation costs.

The warranty is void in the event the product is damaged in transit, or if damage or failure is caused by abuse, misuse, abnormal usage, faulty installation, damage in an accident, improper maintenance, or any repairs other than those authorized by KIBI.

At the expiration of the one year warranty period, KIBI shall be under no further obligation under any warranty, expressed or implied, including the implied warranty of merchantability. KIBI shall not be liable for any consequential damages arising out of or in connection with the use or performance of its products. Some states do not allow limitations on how long an implied warranty lasts or do not allow the exclusion or limitation of incidental or consequential damages, so the above limitation or exclusion may not apply to you.

Any liability against KIBI under any implied warranty, including the warranty of merchantability, is expressly limited to the terms of this warranty. Permission to return any merchandise under this warranty must be authorized by KIBI and returned prepaid by the purchaser. Claims under this warranty should be sent directly to your dealer.