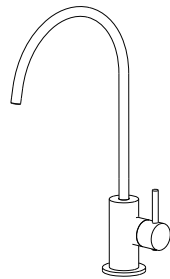


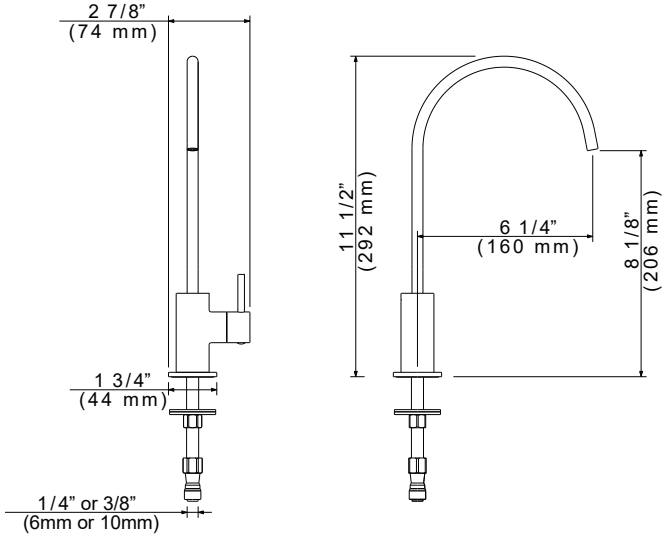


Installation Guide

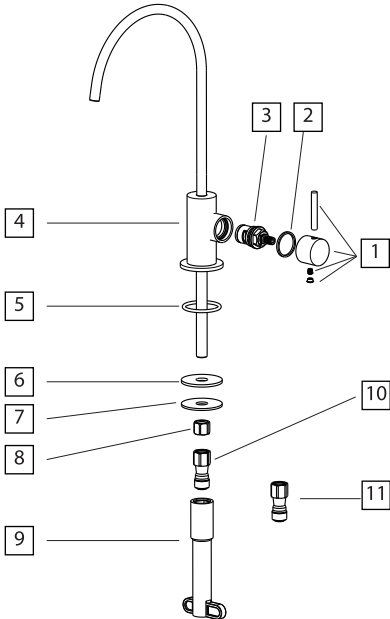


Circular
KFF501

DIMENSIONS

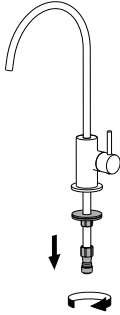


PARTS



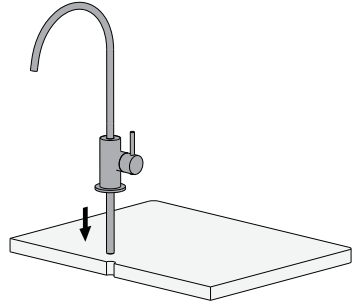
1	Lever Handle
2	O-ring
3	Cartridge
4	Faucet Body
5	O-ring
6	Rubber Washer
7	Metal Washer
8	Mounting Nut
9	Wrench
10	1/4" Connector
11	3/8" Connector

1



Remove the rubber washer, metal washer, and mounting nut from the end of the stud.

2



Place the faucet through the selected hole in the sink or countertop.

3



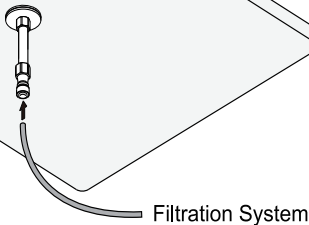
From below the sink or countertop, slide the rubber washer and metal washer onto the stud. Thread the mounting nut onto the stud, and tighten securely using wrench.

4



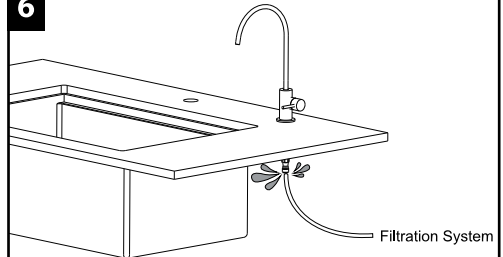
Thread the quick connect adaptor onto the end of the faucet assembly stud, and tighten securely using a wrench.

5



Connect the water line from the filtration system by pushing the line into the connector. Pull down on the line slightly to ensure the quick connect fitting has engaged.

6



Turn on the faucet and check for leaks.

CLEANING AND CARE

Clean the faucet often with a soft cloth to keep it looking like new. For heavy cleaning you can use mild liquid detergents or non-abrasive liquid polisher. Rinse with water and dry with a soft cloth. Avoid abrasive cleaners, steel wool and harsh chemicals as these will dull the finish and void your warranty.

LIMITED LIFETIME WARRANTY

KIBI provides its customers with an extensive warranty as a result of our excellent workmanship and high quality components used in our products.

Mechanical warranty: A limited lifetime warranty is provided on all mechanical parts to be free from manufacturing defects in materials and workmanship under normal use for as long as the original purchaser owns their home.

Finish warranty: A 5-year warranty is provided on all KIBI faucet finishes to the original purchaser against manufacturing defects in materials and workmanship.

At its sole discretion, KIBI will repair or replace any part or finish that proves to be defective in material and/or workmanship under normal installation, use and service.

This warranty is extended to the original consumer owner, but does not cover installation or any other labor charges. In no event shall KIBI be liable for any incidental, consequential or special damages, installation cost, labor, travel time, freight costs incurred, lost profits, or contingent liabilities. KIBI makes no representation that its products comply with any or all local building or plumbing codes. It is the consumer's responsibility to determine local code compliance.