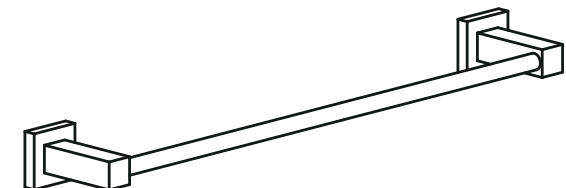


Installation Guide

Model: Cube-KBA1504



Installation Considerations

These products should be located and mounted to a wall stud. While it is possible to mount them to any surface, a stud mounted product will yield the best results.

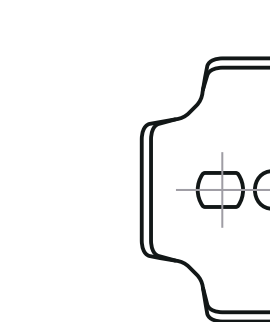
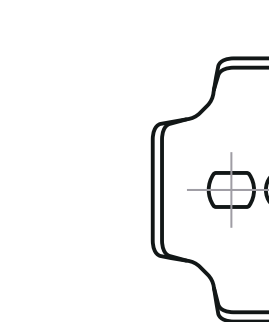
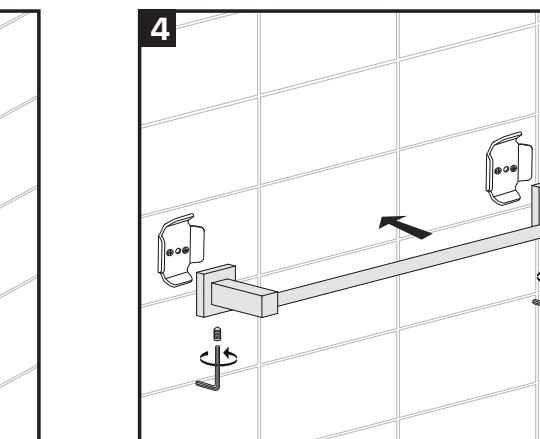
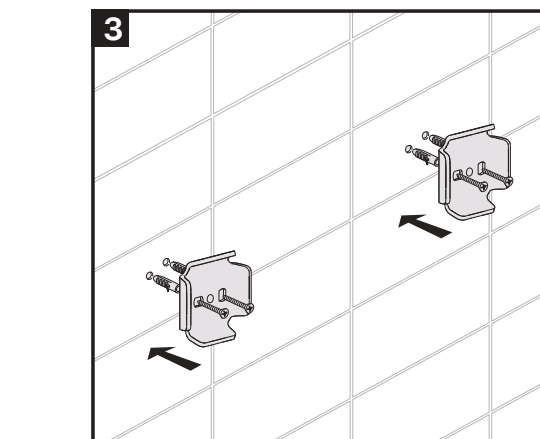
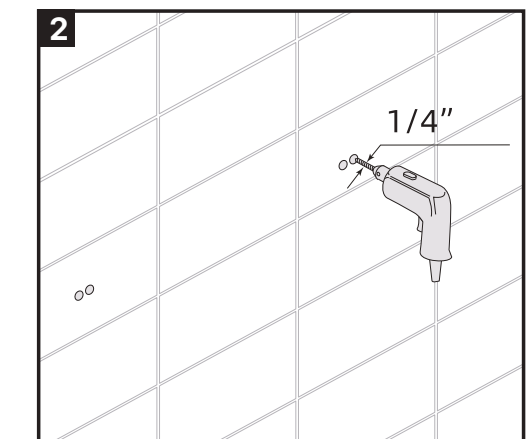
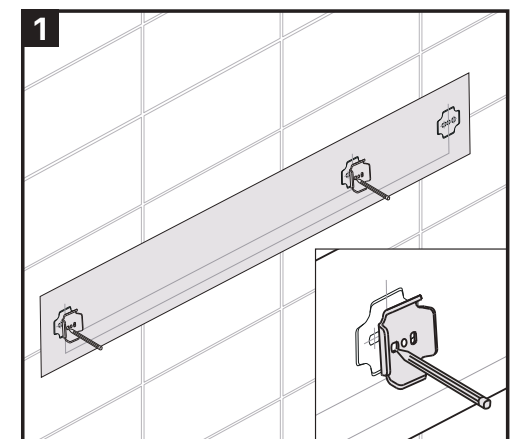
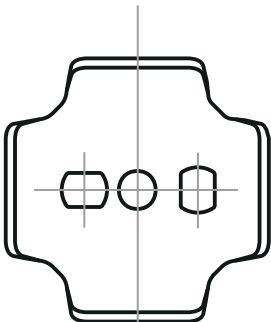
Keep this booklet and the receipt (or other proof of date and place of purchase) for this product in a safe place. The receipt is required to request warranty parts.

Please keep the box and packaging materials until your product is completely installed.

SAFETY TIPS

⚠ WARNING:
This item is not designed for use as a grab bar.
Do not mount in locations where product is likely to be used as a grab bar.

⚠ WARNING:
Use caution when drilling into walls to avoid drilling into electrical and plumbing lines hidden within wall.



17-11/16" (450 mm)

23-5/8" (600 mm)