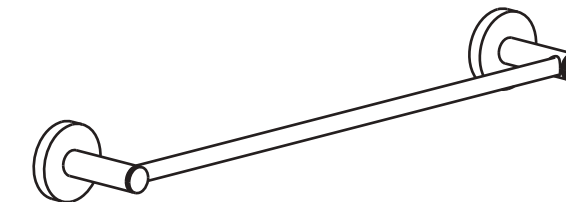


Installation Guide

Model: Circular KBA1404, KBA1407



Installation Considerations

These products should be located and mounted to a wall stud. While it is possible to mount them to any surface, a stud mounted product will yield the best results.

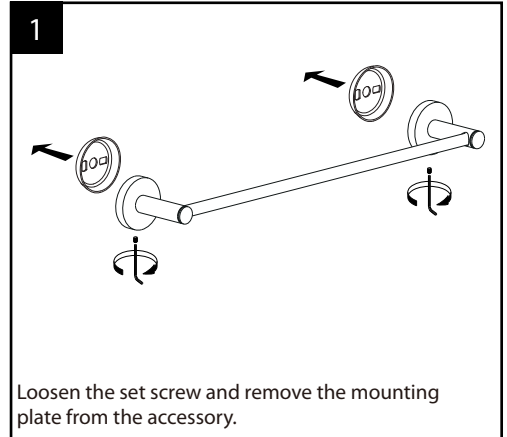
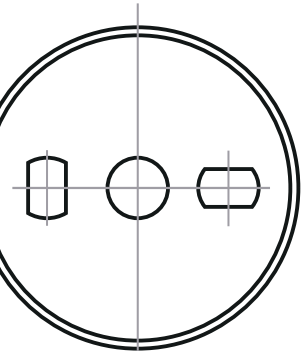
Keep this booklet and the receipt (or other proof of date and place of purchase) for this product in a safe place. The receipt is required to request warranty parts.

Please keep the box and packaging materials until your product is completely installed.

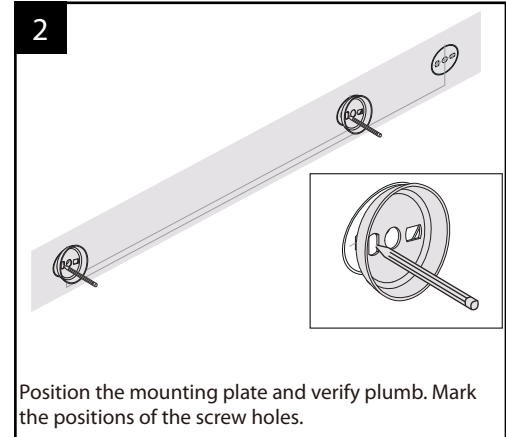
SAFETY TIPS

⚠ WARNING:
This item is not designed for use as a grab bar.
Do not mount in locations where product is likely to be used as a grab bar.

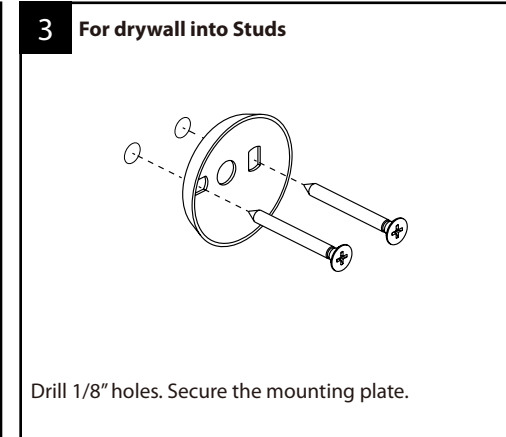
⚠ WARNING:
Use caution when drilling into walls to avoid drilling into electrical and plumbing lines hidden within wall.



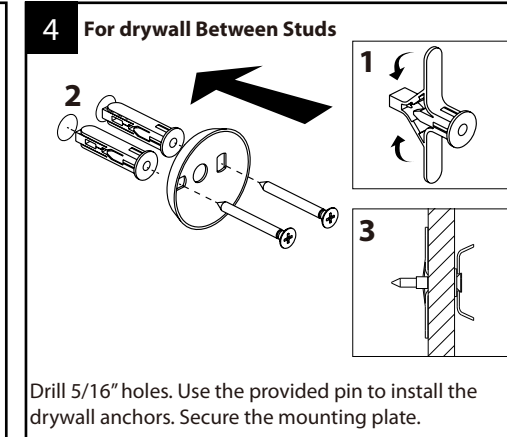
Loosen the set screw and remove the mounting plate from the accessory.



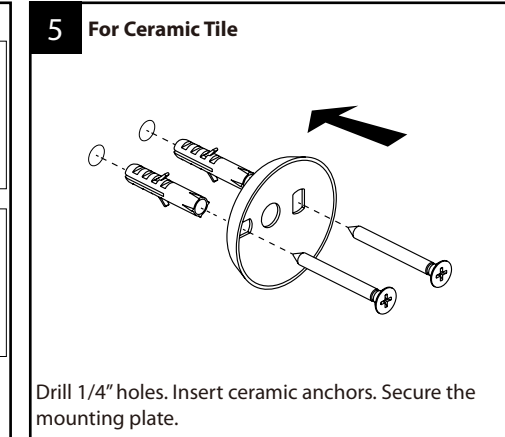
Position the mounting plate and verify plumb. Mark the positions of the screw holes.



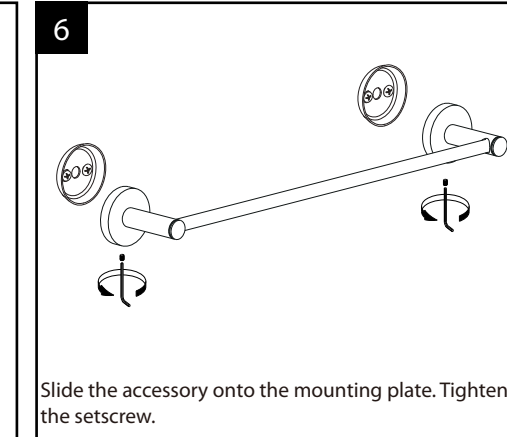
Drill 1/8" holes. Secure the mounting plate.



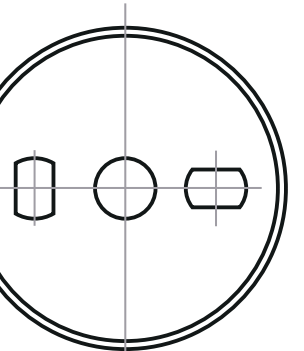
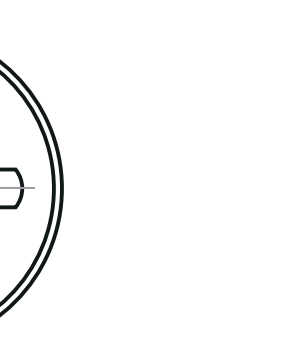
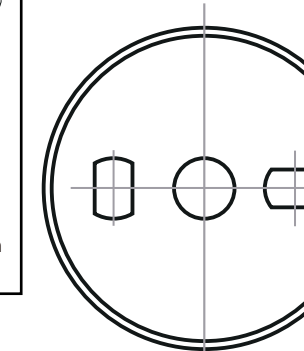
Drill 5/16" holes. Use the provided pin to install the drywall anchors. Secure the mounting plate.



Drill 1/4" holes. Insert ceramic anchors. Secure the mounting plate.



Slide the accessory onto the mounting plate. Tighten the setscrew.



17-11/16" (450 mm)

23-5/8" (600 mm)