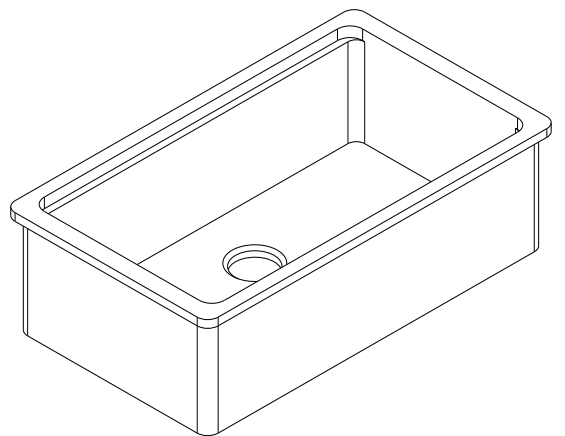


Installation Guide

Fine Fireclay Kitchen Workstation Sink



Fireclay Farmhouse Sink

Installation Instructions

Thanks for choosing our products. You have chosen one of our impeccable Fireclay sinks, and we are excited to get you started on installing it.



READ ALL INSTRUCTIONS BEFORE UNPACKING THE PRODUCT



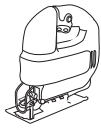
I. Important

- 1- Carefully read all installation and care instruction before proceeding.
- 2-Warning: Due to the dimensional variation inherent in the fireclay manufacturing process, sink cutout templates are not provided. We recommend using the actual sink for countertop cut. A custom countertop, sink base cabinet and support framing is required for proper installation. Fireclay sinks should only be installed with a solid surface countertop (i.e., granite, Corian® or Silestone®).
- 3-Farmhouse sink may require custom cabinetry. We recommend consulting an experienced cabinet maker for assistance. Providing the cabinet maker with the actual sink to be installed will ensure a custom fit.
- 4-Observe all state and local building codes, If you are not familiar with installation and plumbing, consult a professional.
- 5-Sinks are heavy, please arrange assistant to move or position, to avoid personal injury and surface damage.
- 6-Keep this booklet and the receipt (or other proof of date and place of purchase) for this product in a safe place. The receipt is necessary to request warranty parts.
- 7-We does not accept any liability for damage to countertop, sink fixture, faucets or personal injury during installation. Warranty is void if installation guide is not followed.
- 8-Do not return to store if problems, Contact Customer Service ASAP at 833-888-8223.

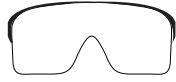
II. Tools you may need



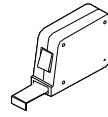
1. Drill



2. Jig Saw



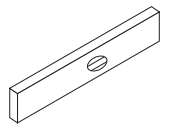
3. Safety Glasses



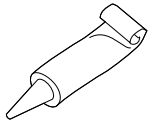
4. Tape Measure



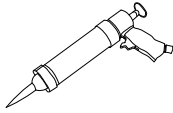
5. Pencil



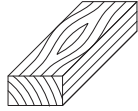
6. Level



7. Silicone



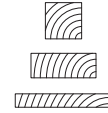
8. Silicone/Caulk Gun



9. Wood Braces



10. Framing Square



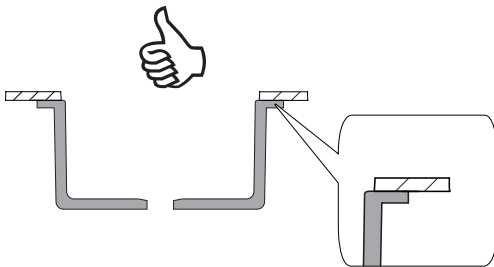
11. Support Frames



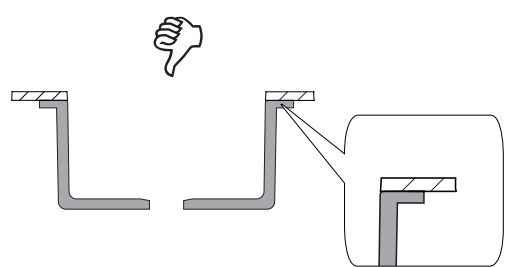
12. Shims, if necessary

III. Installation Options

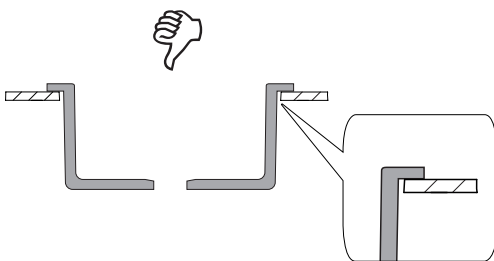
We recommend under-mount Reveal, Flush-mount, Positive-mount Reveal and Drop in installation are not recommended. Ensure there is adequate room for the faucet and backsplash installations.



Positive Reveal



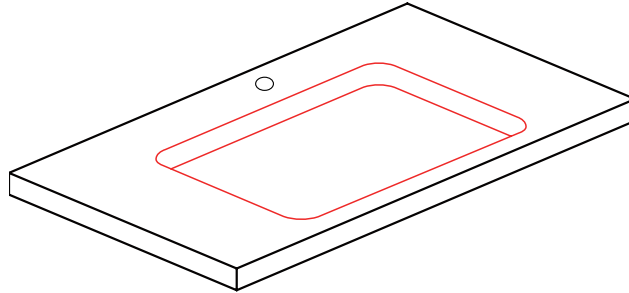
Flushed/Zero Reveal



Drop in

IV. Undermounted installation

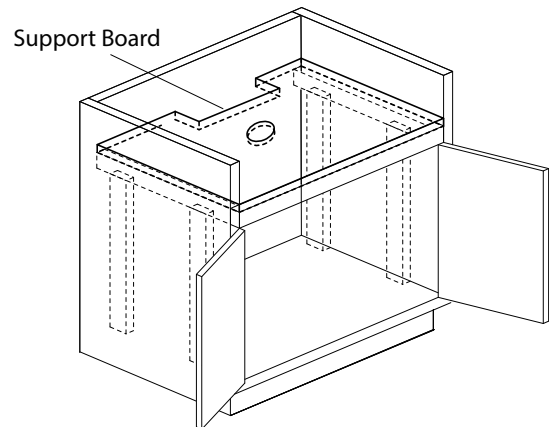
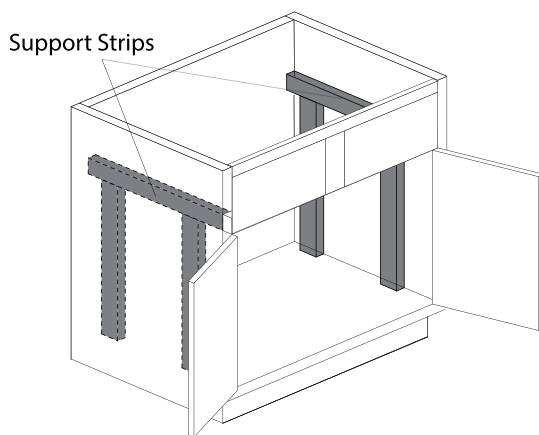
Step 1: Countertop Preparation



Measure the size of the sink. Cut the countertop to allow the sink slide in.

- ⚠ **IMPORTANT:** Due to the dimensional variation from the fireclay manufacturing process, our sinks does not offer the cutout temperate For fireclay sinks. It's essential that prior to installation, you discuss with your installer and agree on the final appearance. Cabinet should Not be cut or fabricated without the sink.

Step 2: Cabinet/Support frame Construction

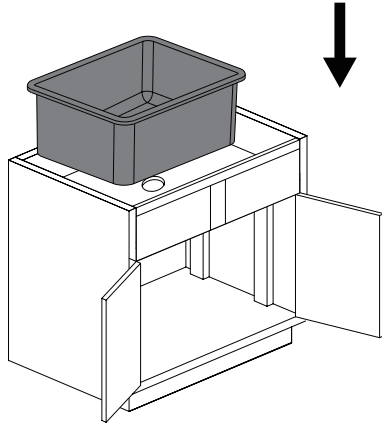


This step to ensure the bottom of the sink has enough support
Construct a wood support frame to fit inside the cabinet opening. Allow adequate clearance of the water supply lines and drainage system.

The recommended support frame design is shown in the illustration on the left, which consists of four vertical supporting strips, two horizontal supporting strips and one supporting board. Due to the variety of installations possible with this sink, your installer may suggest a different support frame design.

- ⚠ **IMPORTANT:** Base cabinet and wood support frame are essential for proper installation. Base cabinet and support frame must sufficiently support the weight of the sink when full.

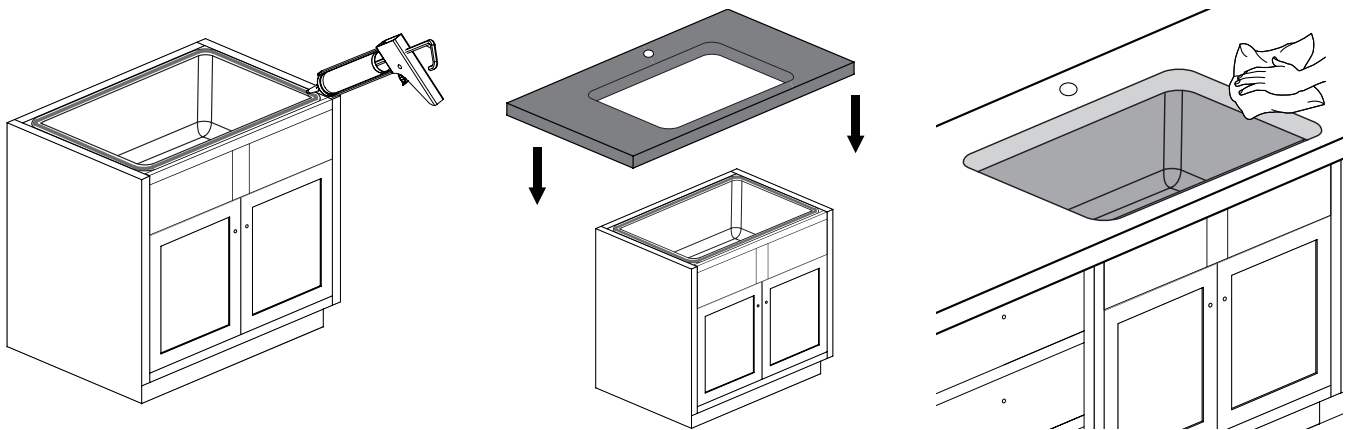
Step 3: Sink installation



Using two people, carefully place the sink in place. Verify that the sink can fit in the cabinet opening and rest properly on the supporting system. Make a small adjustment to fit as necessary. Verify the overall appearance and check for levelness to ensure correct drainage.

⚠ Warning! To be avoid of risk of personal injury or product damage, Handle with care. The product can break, chip, cause injury or product damage.

Step 4: Countertop Installation

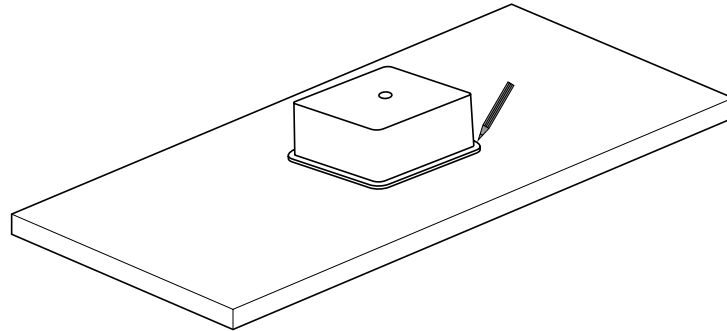


After cleaning, apply a bead of silicone sealant between the top flange (or lip) of the sink and the countertop to create a watertight seal. Clean excess silicone immediately. Verify the overall appearance and check for levelness to ensure correct drainage. Carefully place the countertop and verify that it is level.

**Step 5: Connect water supply and drainage system per manufacturer's instructions.
Run water to test for leakage**

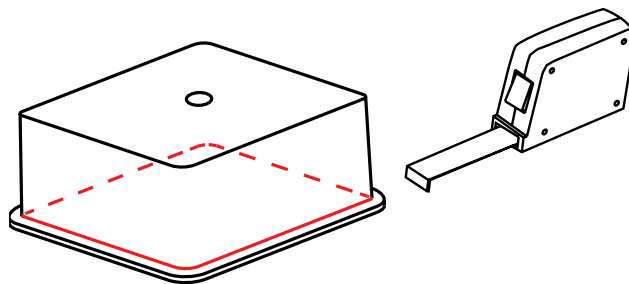
V. Drop in installation

Step 1: Countertop Preparation

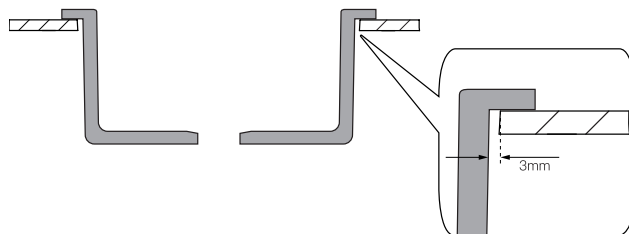


Place the Sink in the required position and use it as a template to draw around its perimeter.

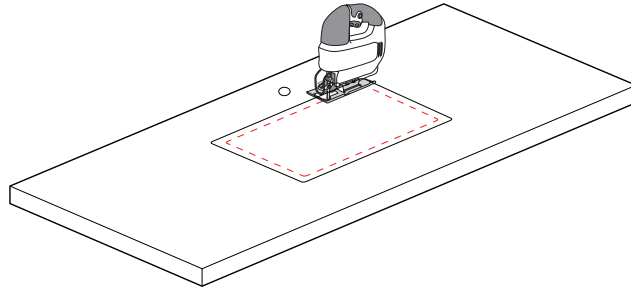
△ **IMPORTANT:** Due to the dimensional variation from the fireclay manufacturing process, our sinks does not offer the cutout temperate For fireclay sinks. It's essential that prior to installation, you discuss with your installer and agree on the final appearance. Cabinet should Not be cut or fabricated without the sink.



Measure the width of the underside of the sink rim.

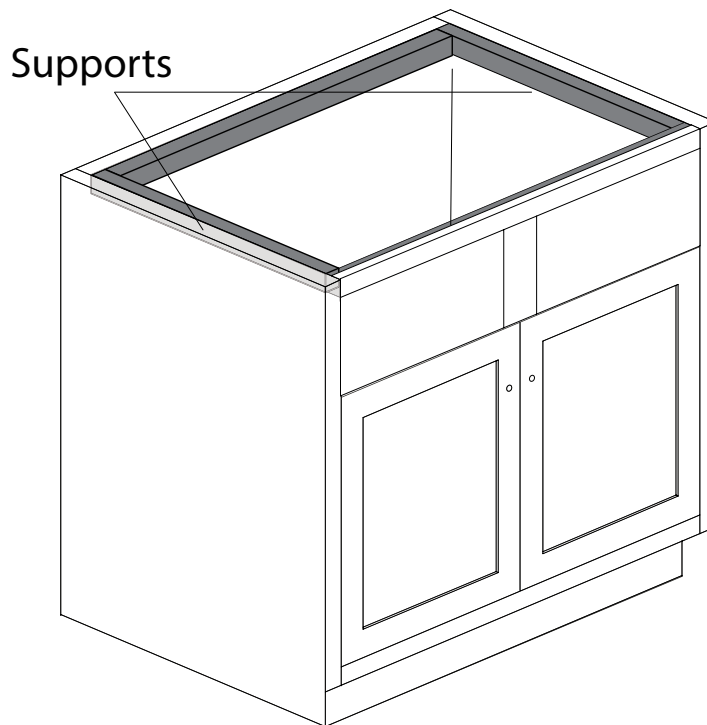


Subtract 3 mm from the width of the underside of the sink rim, and then subtract this amount from the perimeter you have drawn.



Machine this new line.

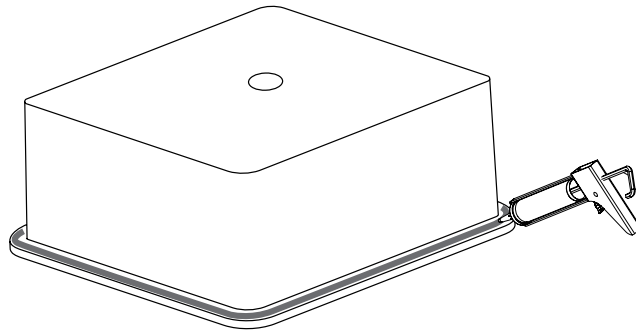
Step 2: Cabinet/Support frame Construction



Construct a wooden frame to support the sink. Measure your sink to determine the dimensions.

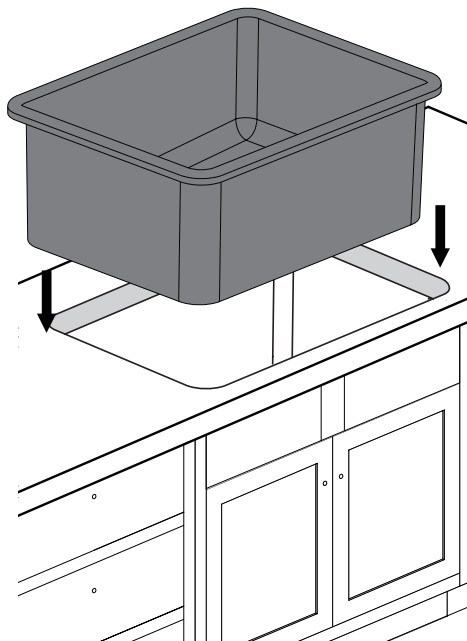
- ⚠ **IMPORTANT:** The supports should be flush with the top of the cabinet. Due to the typical $\pm 3\text{mm}$ side wall variance in manufacturing, it is recommended that you design / modify the sink cabinet to match your clients individual sink(s) need.

Step 3: Sink installation



Turn the sink over and apply a generous bead of silicone sealant along the bottom of the sink rim.

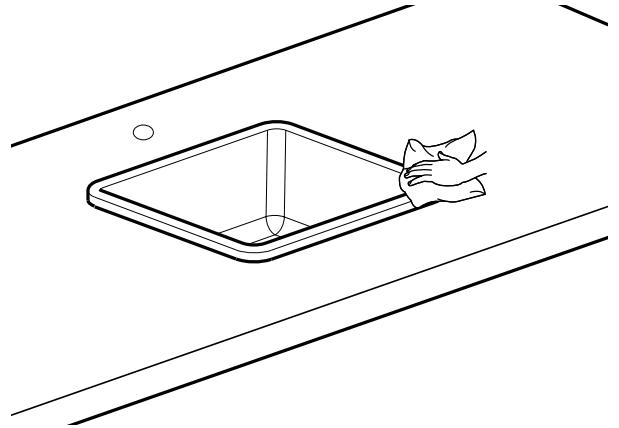
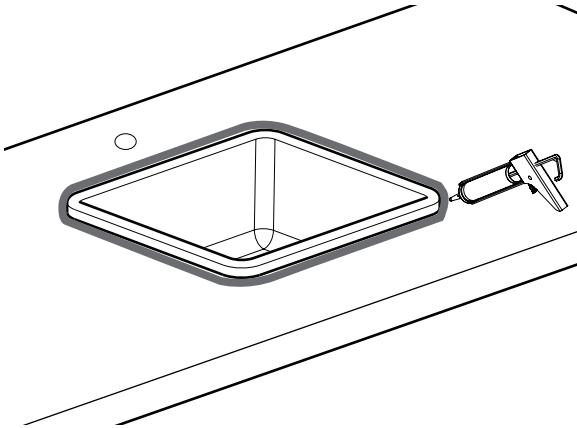
⚠ **Do not use epoxy.**



Insert the sink into the opening, check the alignment of the sink to the cutout in the countertop and press firmly.

⚠ **Warning! To be avoid of risk of personal injury or product damage, Handle with care. The product can break, chip, cause injury or product damage.**

Step 4: Countertop Installation



After cleaning, apply a bead of silicone sealant between the top flange (or lip) of the sink and the countertop to create a watertight seal. Clean excess silicone immediately. Verify the overall appearance and check for levelness to ensure correct drainage. Carefully place the countertop and verify that it is level.

**Step 5: Connect water supply and drainage system per manufacturer's instructions.
Run water to test for leakage**

VI. Products Care and Maintenance

Our Fireclay sinks are made of clay fired at over 2,200°F and created for a lifetime of easy care. Just follow the simple guidelines listed below.

Routine Care

Most dirt & stains: Use soapy water or vinegar-based cleaner and a sponge and towel dry.

Water marks: Wipe with damp cloth and towel dry.

Difficult Stains: 50/50 water/bleach solution or non-abrasive cleaners. Follow cleaning manufacturer's instructions, rinse thoroughly and towel dry.

Preventing Damage:

Avoid exposing Fireclay to strong chemicals, such as paint removers, oven cleaners, etc. If contact occurs, quickly flush the surface with water. Do not use a straight or undiluted bleach solution.

Do not set hot pans directly into sinks

Run cold water when pouring boiling water into sinks.

Do not use any abrasive cleaning products, scouring pads or steel wool.

Do not use caustic solutions containing ammonia or alkalis.

VII. Limited Fireclay Sink Warranty

We warrant to the original purchaser of an Fireclay sink that we will, at its option, replace or repair, without charge, such product if it fails due to a manufacturing defect for a period of 1 year of normal residential use. Product replacement does not include transportation cost or labor installation cost. This warranty covers only Fireclay under-mount sinks installed in a conventional solid surface countertop and applies to residential installations only. we reserves the right to examine product in question and its installation prior to replacement.

WASTE FITTINGS AND ACCESSORIES ARE NOT WARRANTED OTHER WARRANTY CONDITIONS ON SINKS

This warranty does not cover product failure or damage caused by the use of optional accessories, abusive treatment, misuse, environmental factors, normal wear including surface dulling and scratches, improper care and cleaning, use of aggressive and abrasive cleaners, damage due to handling or failure to follow the recommended procedures for installation, care and maintenance as detailed in the installation and care guide provided with every sink. This warranty is extended only to the original consumer purchaser of the product. This warranty does not cover shipping costs, labor costs, or any other charges for such items as installation or replacement of the sink, diagnosis or replacement of any faucet or component part, or any other expense or loss.

All incidental or consequential damages are specifically excluded. No additional warranties, express or implied are given, including but not limited to, any implied warranty of merchantability or fitness for a particular purpose.

Some states do not allow the exclusion or limitation of incidental or consequential damages or limitations on how long an implied warranty lasts, so the above limitations or exclusions may not apply to you.

This warranty gives you specific legal rights, and you may also have other rights which vary from state to state.

