

Model: K1-DF36

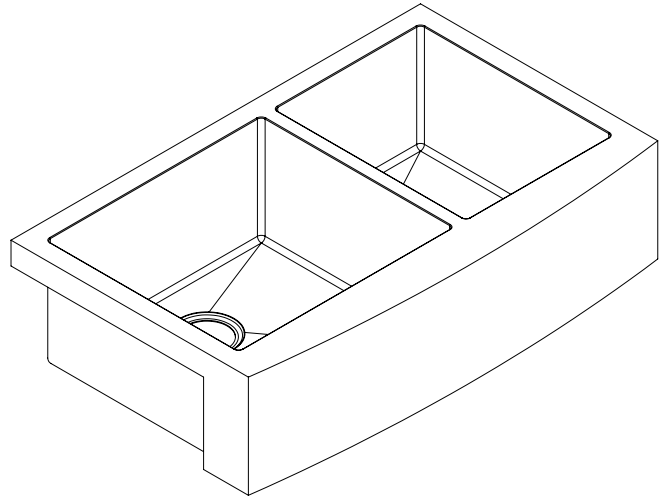
36" Farmhouse Apron 16 Gauge Stainless Steel Double Basin Kitchen Sink



## SPEC SHEET

### Features

- Premium T-304 16G Stainless Steel material
- 10" deep bowl
- Sloped bottom drain with grooves
- Round 10mm corners
- Commercial grade brushed finish
- 3.5 inch real set drain
- Extra thick 3mm rubber sound dampening pads
- Full body coated
- Bottom grids, basket drainer included
- Recommended minimum cabinet size: 36"
- Limited lifetime warranty



Sound Dampening



Prevents Condensation



Heat Resistant



Stain Resistant



Fade Resistant

